

MINX

DESIGNED BY
R. Cizek.

COPYRIGHT ©
10%

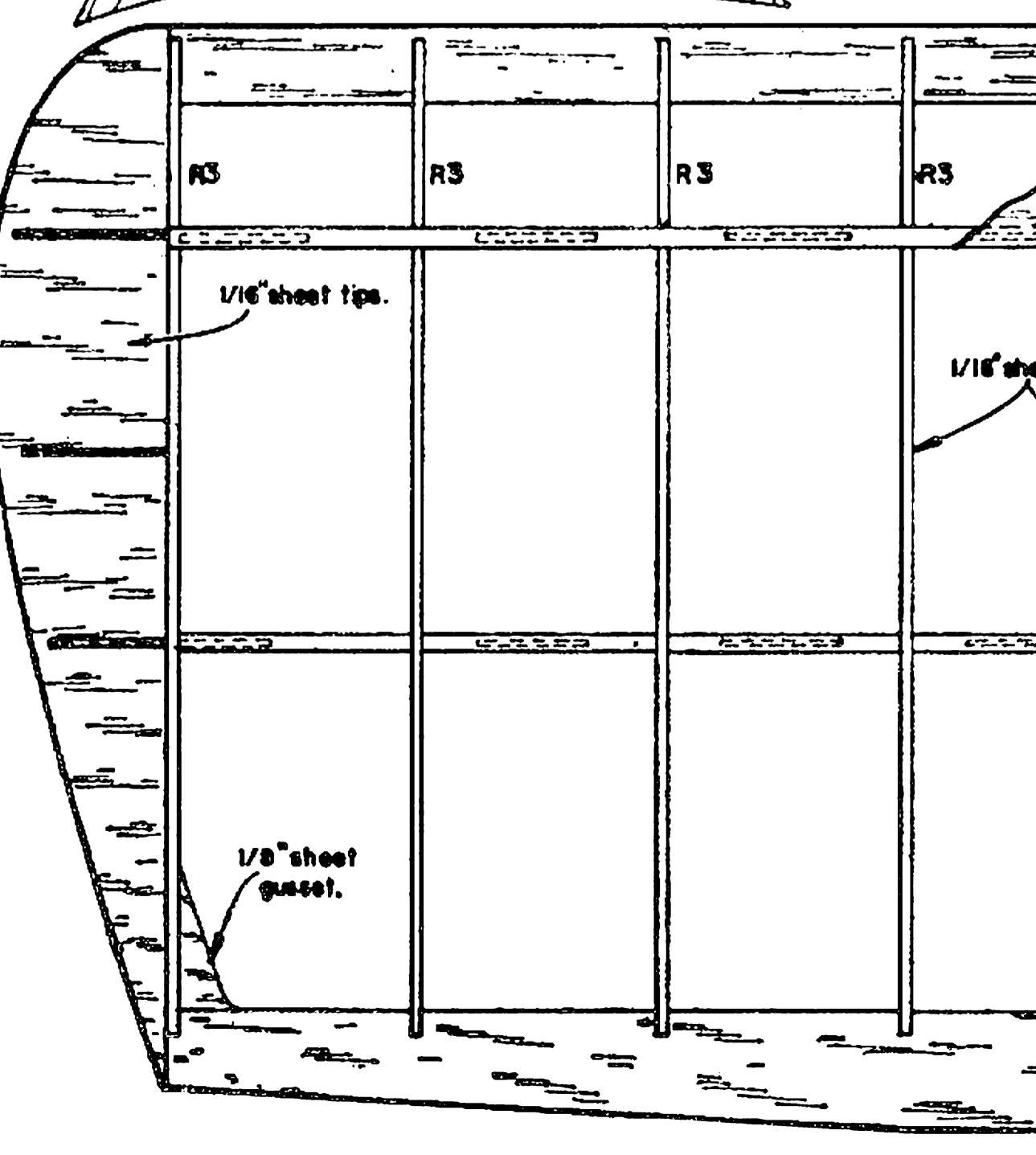
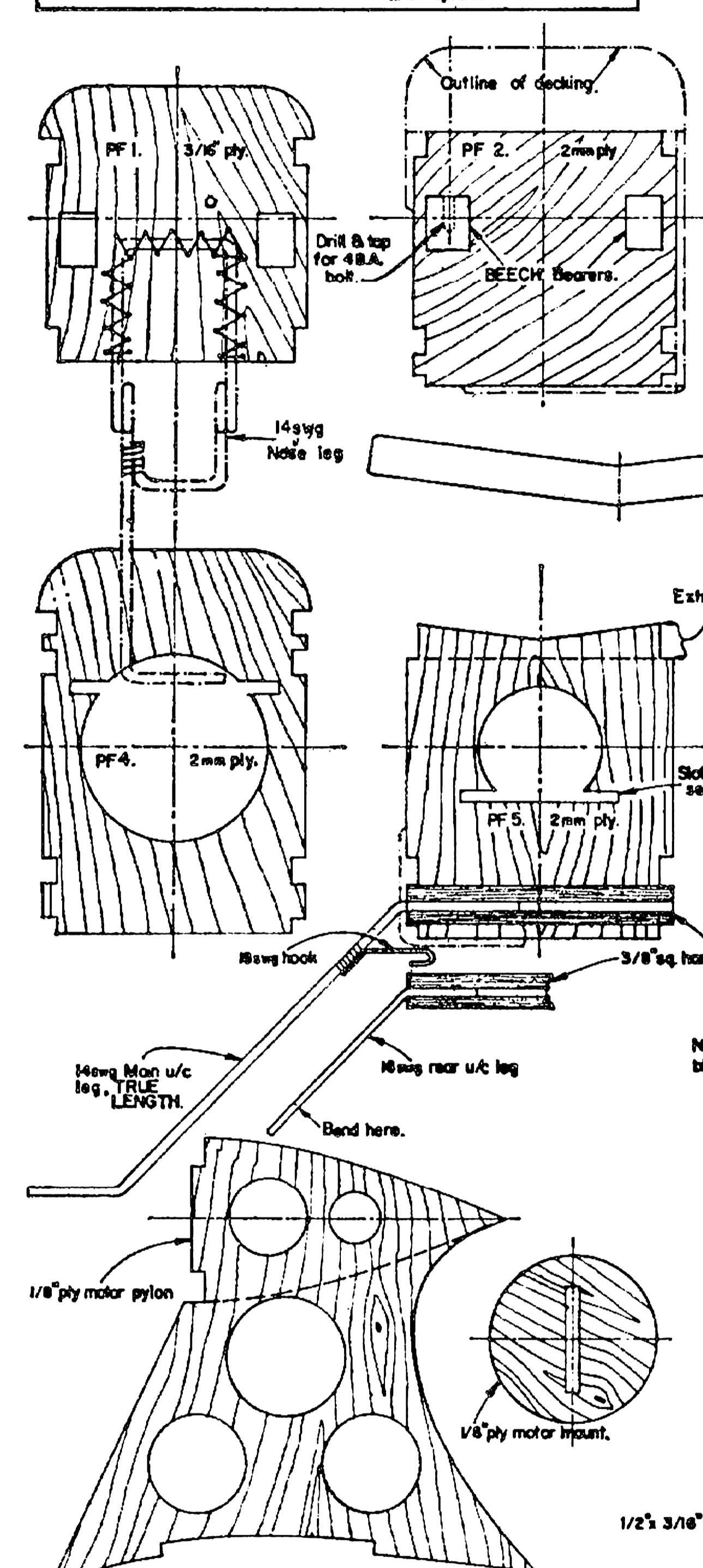
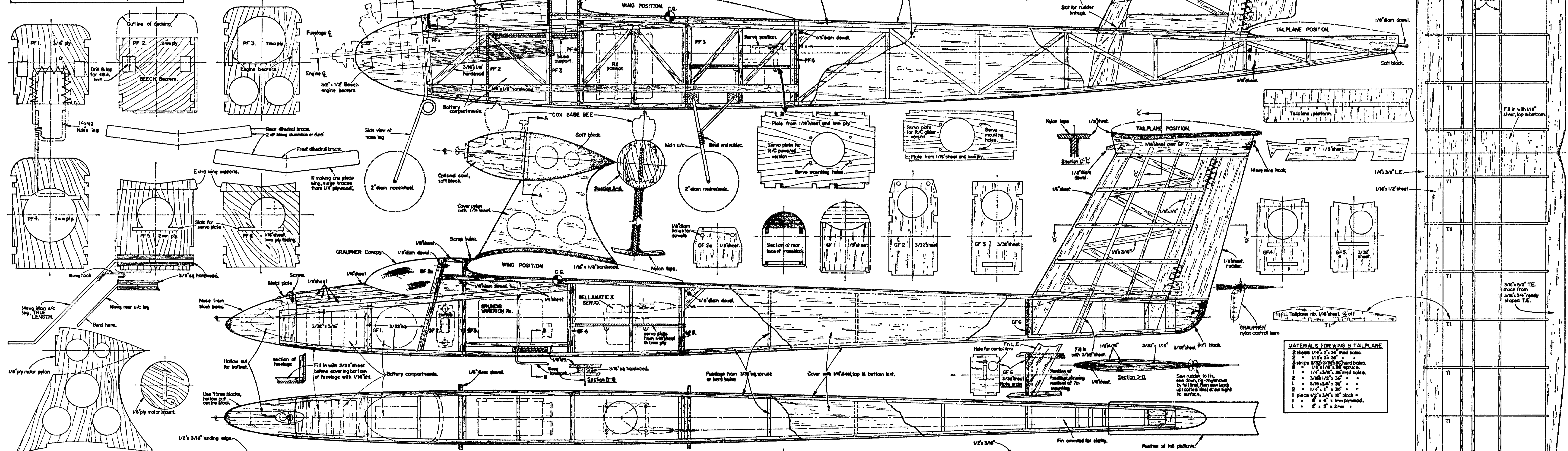
THE AEROMODELLER PLANS SERVICE

15-35 BRIDGE STREET, NEMEL HEMPSTEAD, N.Y.

- Materials for Power Fuselage:**
- 2 sheets 1/16" x 2 3/8" med. balsa.
 - 1 1/8" x 3/8" x 3/8" med. balsa
 - 1 1/8" x 3/8" x 3/8" med. balsa
 - 1 1/8" x 3/8" x 3/8" med. balsa
 - 1 1/8" x 3/8" x 3/8" med. balsa
 - 1 1/8" x 3/8" x 3/8" med. balsa
 - 1 1/8" x 3/8" x 3/8" med. balsa
 - 1 1/8" x 3/8" x 3/8" med. balsa
 - 1 1/8" x 3/8" x 3/8" med. balsa
 - 1 1/8" x 3/8" x 3/8" med. balsa
 - 1 1/8" x 3/8" x 3/8" med. balsa
 - 1 1/8" x 3/8" x 3/8" med. balsa
 - 1 1/8" x 3/8" x 3/8" med. balsa
 - 1 1/8" x 3/8" x 3/8" med. balsa
 - 1 1/8" x 3/8" x 3/8" med. balsa
 - 1 1/8" x 3/8" x 3/8" med. balsa
 - 1 1/8" x 3/8" x 3/8" med. balsa
 - 1 1/8" x 3/8" x 3/8" med. balsa
 - 1 1/8" x 3/8" x 3/8" med. balsa
 - 1 1/8" x 3/8" x 3/8" med. balsa

ALL WOODS Balsa UNLESS OTHERWISE STATED.

- Materials for Glider Fuselage:**
- 2 sheets 1/16" x 2 3/8" med. balsa
 - 1 1/8" x 3/8" x 3/8" med. balsa
 - 1 1/8" x 3/8" x 3/8" med. balsa
 - 1 1/8" x 3/8" x 3/8" med. balsa
 - 1 1/8" x 3/8" x 3/8" med. balsa
 - 1 1/8" x 3/8" x 3/8" med. balsa
 - 1 1/8" x 3/8" x 3/8" med. balsa
 - 1 1/8" x 3/8" x 3/8" med. balsa
 - 1 1/8" x 3/8" x 3/8" med. balsa
 - 1 1/8" x 3/8" x 3/8" med. balsa
 - 1 1/8" x 3/8" x 3/8" med. balsa
 - 1 1/8" x 3/8" x 3/8" med. balsa
 - 1 1/8" x 3/8" x 3/8" med. balsa
 - 1 1/8" x 3/8" x 3/8" med. balsa
 - 1 1/8" x 3/8" x 3/8" med. balsa
 - 1 1/8" x 3/8" x 3/8" med. balsa
 - 1 1/8" x 3/8" x 3/8" med. balsa
 - 1 1/8" x 3/8" x 3/8" med. balsa
 - 1 1/8" x 3/8" x 3/8" med. balsa



- MATERIALS FOR WING & TAIL PLANE:**
- 2 sheets 1/16" x 2 3/8" med. balsa.
 - 2 1/8" x 3/8" x 3/8" med. balsa
 - 3 strips 3/32" x 3/8" hard balsa.
 - 1 1/4" x 3/8" x 3/8" med. balsa.
 - 2 3/16" x 1/2" x 3/8"
 - 1 3/16" x 3/8" x 3/8"
 - 1 1/8" x 1/2" x 3/8"
 - 1 piece 1/2" x 3/8" x 3/8" block
 - 1 2" x 2" x 2mm

